



MM-2H

Ring on block friction and wear tester

Product

scheme

Jinan Hengxu Testing Machine Technology Co., Ltd

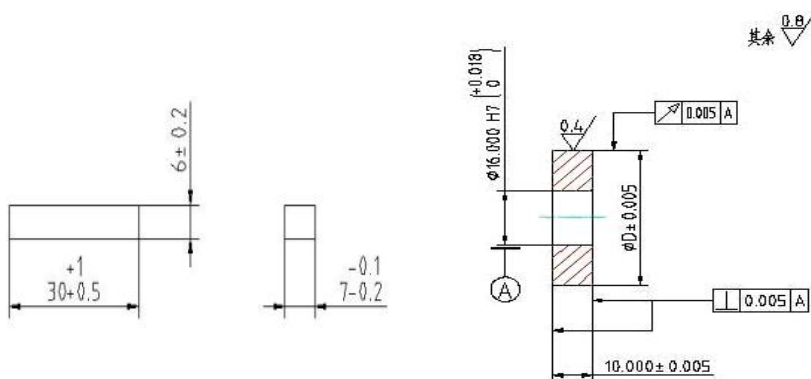
Jinan HengXu Testing Machine Technology Co., Ltd



MM-2H Ring on block friction and wear tester

One、 Product introduction:

The ring on block friction wear tester is designed and manufactured according to GB3960. It is applicable to ring block friction and abrasion performance test of plastic and rubber products or coatings and other composite materials. The friction force, friction coefficient and wear amount of the test sample can also be measured. High-precision sensor and stable integrated control system are adopted for the machine, so the accuracy of various test indexes of the instrument is very high. Due to the high integration degree, the stability of the equipment itself is excellent. The machine has the functions of one-time setting, fully automatic operation, automatic shutdown after the test, inspection of wear degree, and printing of test data through the printer. It is the necessary testing equipment for scientific research institutions, universities and enterprise laboratories.



GB3960 Standard Specimen for Sliding Test Method of Plastics





Reference picture of the second-generation product (due to the continuous upgrading of the equipment to simulate new products)

The new ring on block friction and wear tester can be upgraded with a computer data real-time processing system, which can display parameters such as friction moment, friction coefficient and test time in real time, and record various test curves such as friction coefficient - time in the test process. At the same time, the online wear measurement system can also be configured according to the customer's needs to facilitate the test.

Two、 Main technical specifications:

1. Max test force: 200N (weight loading)
2. Relative error of test force: $\pm 1\%$
3. Friction ring size: $\varphi 40 \times 10\text{mm}$ (customizable)
4. Measurement range of friction moment: 0-5N. m, $\pm 2\%$ FS
5. Host power: <1000W
6. Motor type: high-precision servo motor
7. Rotating speed: 10-500r/min
8. Speed accuracy: $\pm 1\text{r/min}$
9. Time control range: 1s-9999 H
10. Revolution control range: 1-999999R
11. Size: about 400 * 350 * 320mm
12. Weight: about 55kg

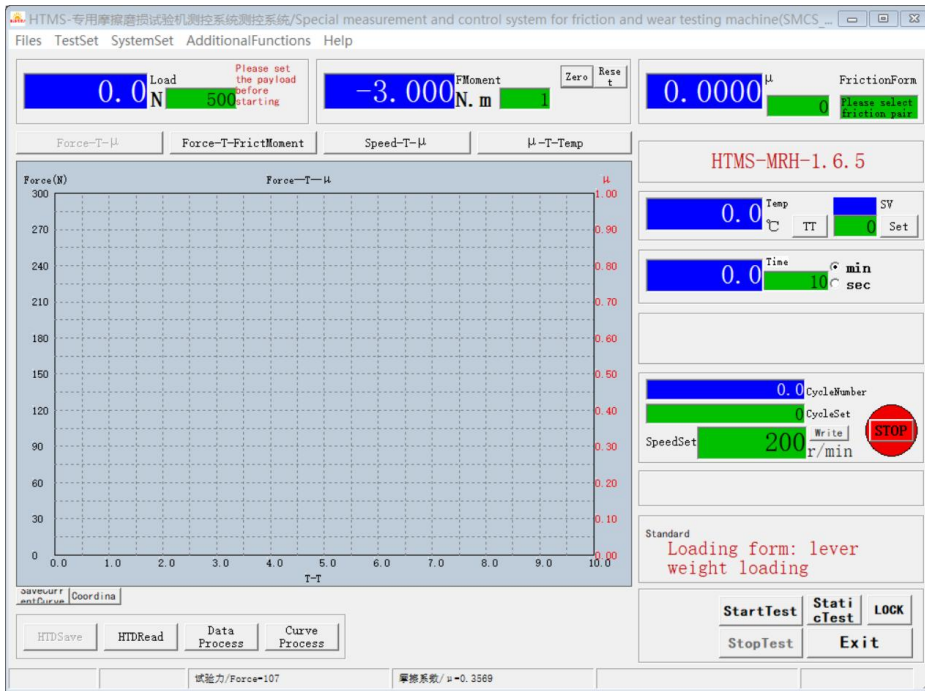
Three、 Host Configuration

- | | |
|--------------------------------------|-----------|
| 1. Host | one |
| 2. High precision sensor | one piece |
| 3. Combined loading weight | 1 set |
| 4. Wear measuring system | 1 set |
| 5. Standard friction ring | one |
| 6. Lenovo computer | one |
| 7. Product instruction manual | one |
| 8. Product qualification certificate | one |
| 9. Product Packing List (copy) | one |



Four、 Microcomputer measurement and control system

The measurement system can collect and display friction moment, friction coefficient, rotating speed, time and other test parameters in real time, and display dynamic curve in real time. After the test, report and curve can be output. Refer to the following for the interface of special friction and wear measurement and control software:



Five、 After-sales service

The warranty period is one year from the date of acceptance, with lifetime maintenance, free service within one year, free on-site installation and commissioning of new machine, and free training of operators.

1. The test equipment provided shall comply with the current national standards or industry standards to ensure the technical advancement and reliability of the test equipment;
2. Supply of required parts and accessories throughout the year;
3. Provide technical support throughout the year, provide solutions within 24 hours for product maintenance, and arrive within 48 hours if on-site solutions are required;
4. Free lifelong software upgrade.

Tel:+86-0531-85860713, +8618678808533



WeChat/WhatsApp: +8618678808533

QQ: 283055108

The contact: Mr Liu

Email:cnjntest@163.com

Add:No. 102-1, building 68, Xinmao Qilu science and technology city, No. 299, Zidong avenue,
Tianqiao district, Jinan city, Shandong province China

Jinan HengXu Testing Machine Technology Co.,Ltd